

GUILLOTINE

Product Information

Vertically sliding or guillotine panels allow windows to open based on a unique counter-weight system. Vertical panels can also be used as a walk through system with a panel that either slides up or disappears into a cavity in the ground. Our Guillotines can also be fitted with motorisation.



CHARACTERISTICS

Tracks + Frames

- Recessed and hidden within the floor, wall and ceiling
- The slimmest tracks available

Horizontal Profile

- The slimmest available starting at only 20mm wide
- Reinforced for high wind areas

Glazing

- Single, Double, Triple
- Panel size up to 500kg
- Sourced in Australia

Drainage

- Tracks designed to act as drains
- No strip drains required as built-in sub sills allow for water to be collected and drained.

Finishing

- Air craft grade aluminium in natural anodised in 25 microns
- Coloured anodising in Australia in numerous colours in 25 microns
- Powder coating in Australia in numerous colours
- Suitable for extreme environments with 15 year warranty

Set down

- Minimal recess of 75mm required to conceal the tracks within the walls

FUNCTION

Rollers

- Stainless steel rollers bearings fitted within the tracks

Operation

- Smooth, easy operation

Maintenance

- Aluminium and stainless steel parts require minimal maintenance and can be done with ease with our removable tracks.
- Extreme reliability and durability keeps maintenance to a minimum.

OPTIONS

Motorisation

- Push button motorisation can be concealed within the structure.

Locks

- Various options available for locking mechanisms including electric locking.

Trickle Air Vent

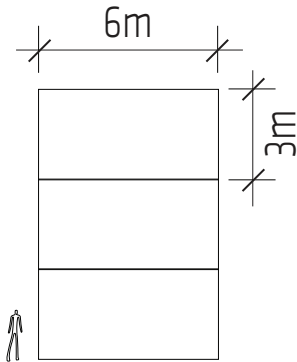
- Allows for a continuous flow of fresh air without a security risk

Screens

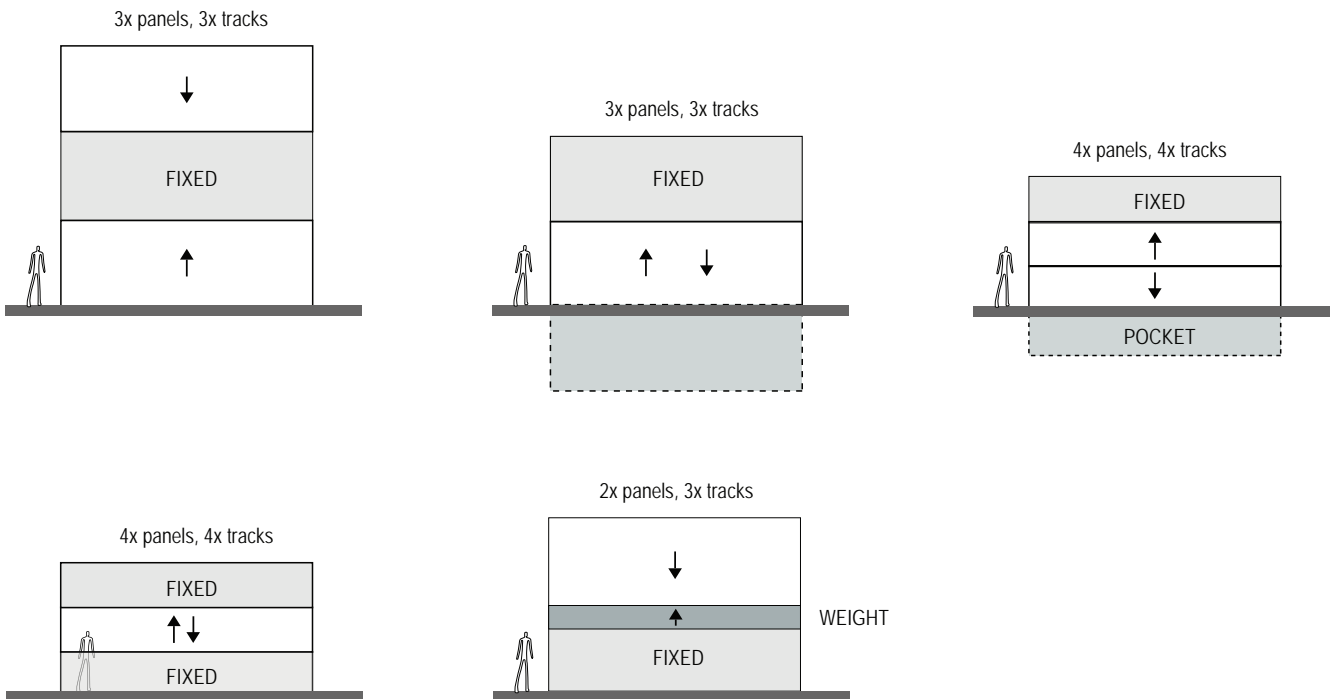
- Any material can be fit to our profiles including timber, stone and steel panels

GUILLOTINE Configurations

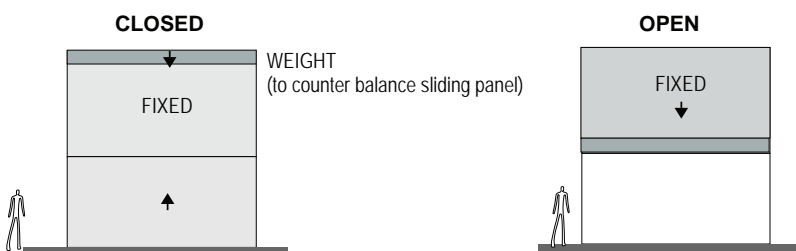
Maximum glass panel sizes available



Endless counter balanced panel and weighted configurations

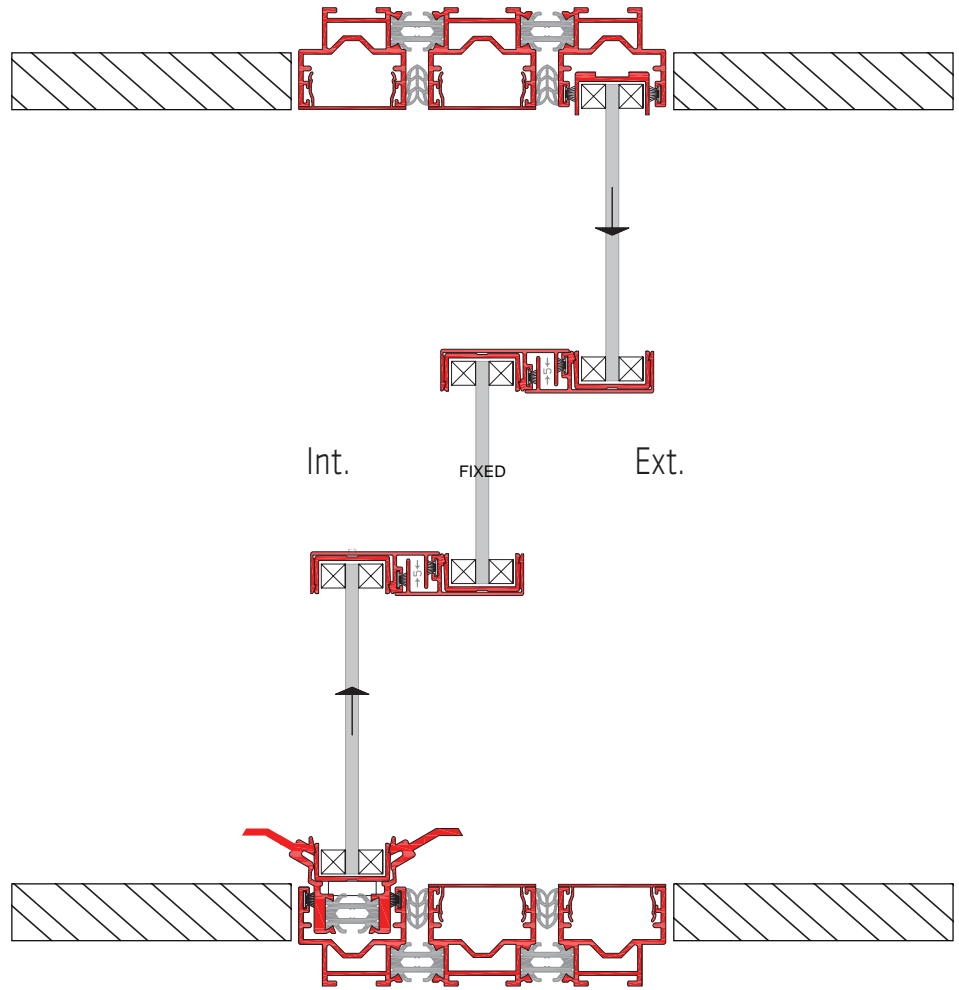


Open and Closed positions of counter-balanced weight Guillotine

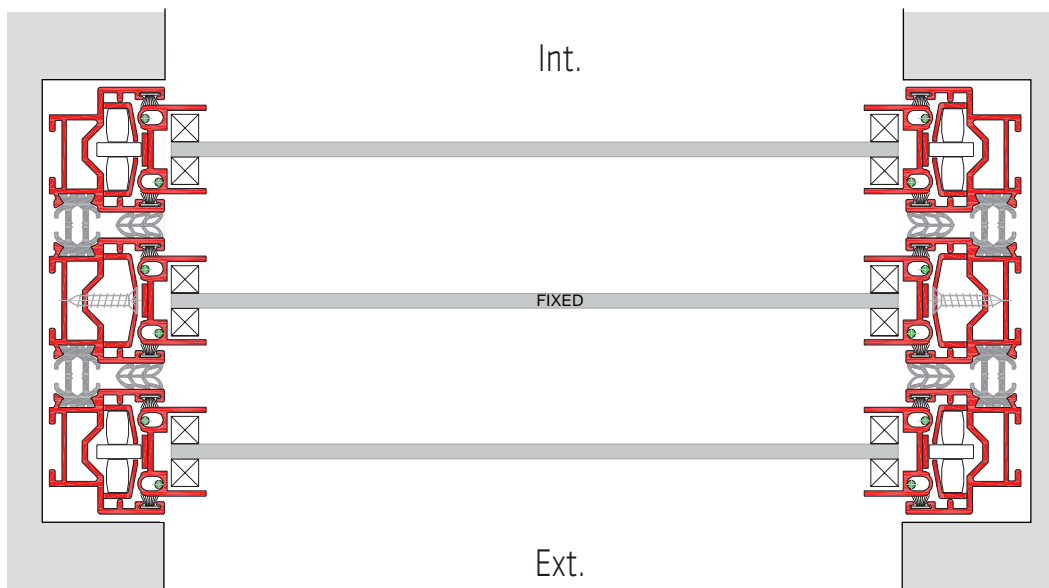


Weight counter balances the sliding panel.
The weight will slide down on a 3rd track as the sliding panel moves up.

GUILLOTINE
Single Glazed
Vitrocsa 3001

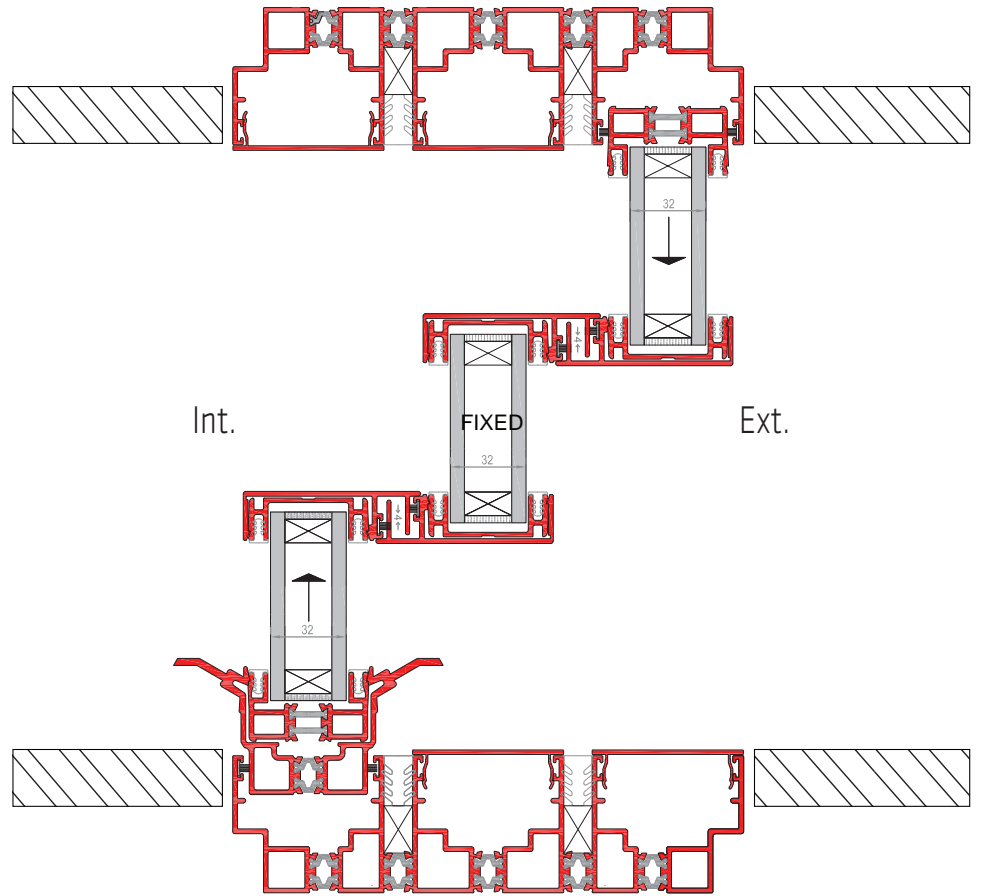


Section

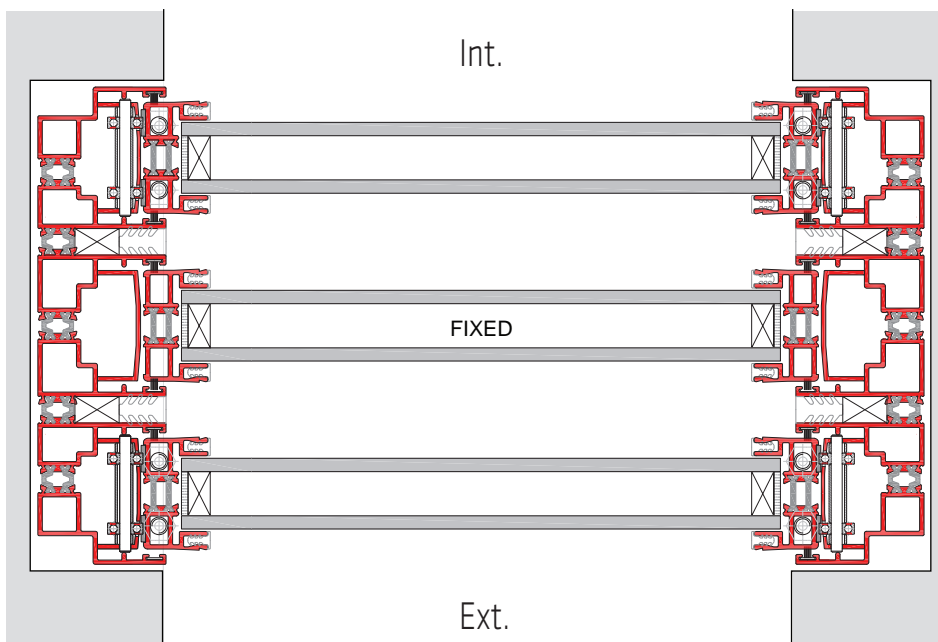


Plan

GUILLOTINE
Double Glazed
Vitrocsa TH+ Double



Section



Plan